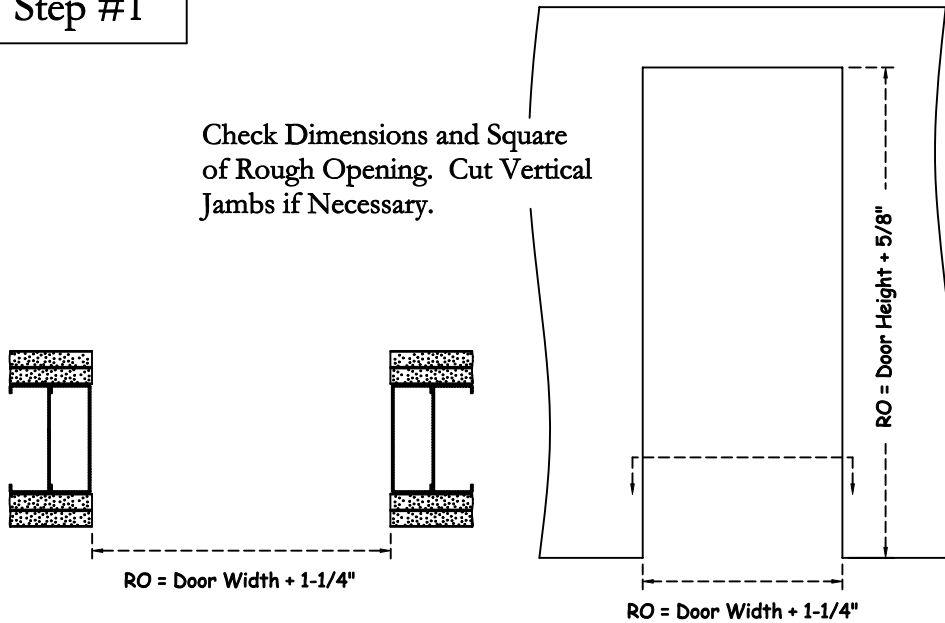


Installation Instructions - 90 Minute Rated Aluminum Door Frames

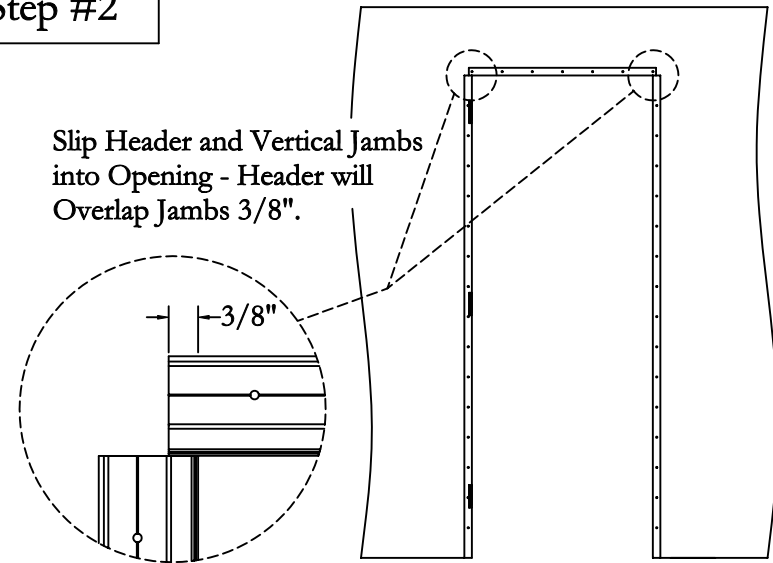
Step #1

Check Dimensions and Square of Rough Opening. Cut Vertical Jamb if Necessary.



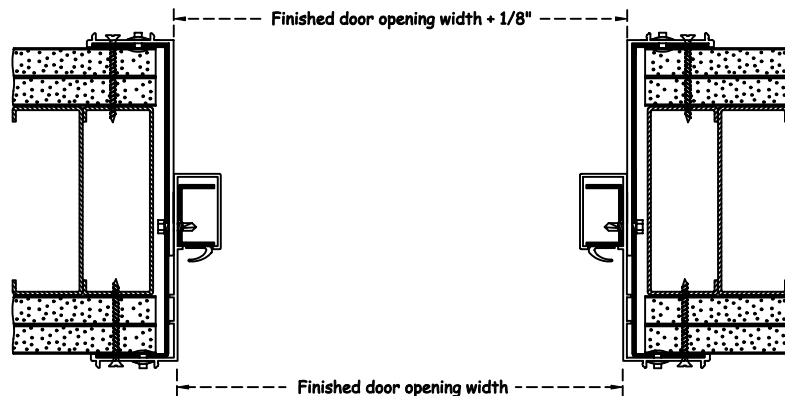
Step #2

Slip Header and Vertical Jamb into Opening - Header will Overlap Jamb $3/8"$.



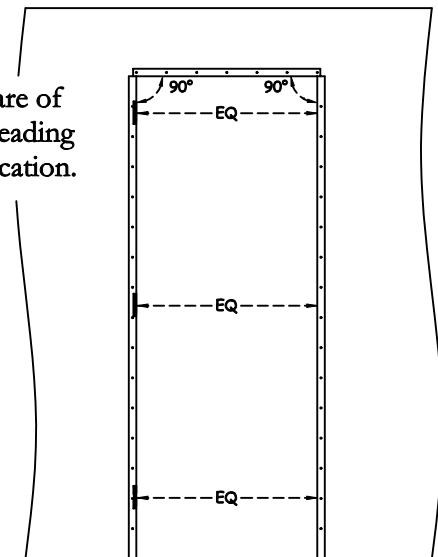
Step #3

Align to Scheduled Opening Width and Height, Achieving Equal Wall Capture on Both Jamb Legs. Make Sure Scheduled Opening Width is Maintained on Both Sides of Door Stop at Leading Edge of Frame.

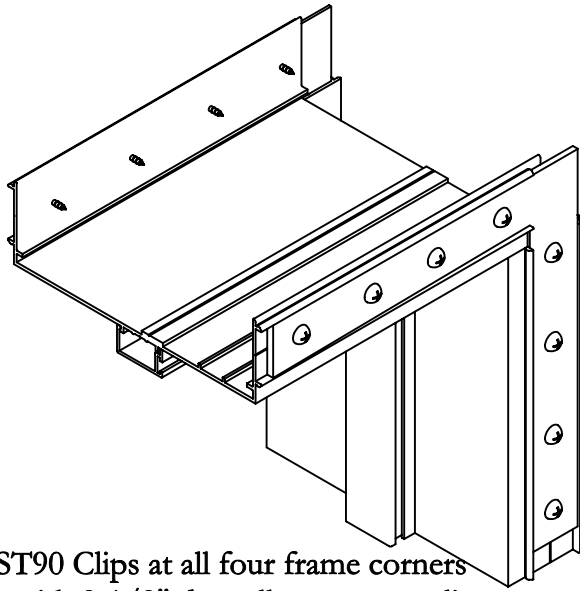


Step #4

Check Level of Header and Square of Jamb Legs. Measure Width at Leading Edge of Jamb at Each Hinge Location.



Step #5

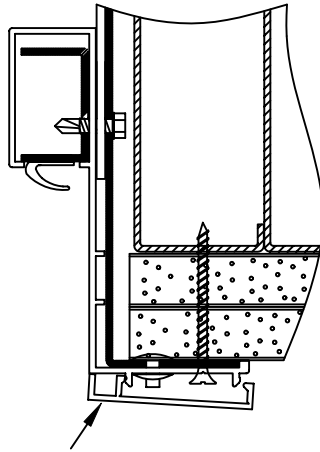


Attach the 4ea C100ST90 Clips at all four frame corners of Jamb and Header with 2-1/2" drywall screws per clip.

Step #6

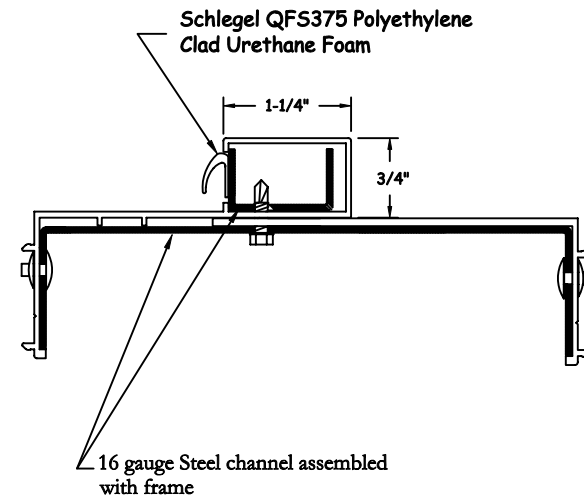
Check Square/Plumb of Opening. Anchor Jamb to Wall Using 2-1/2" Drywall Screws Through Round Holes Nearest Top and Bottom at Each Hinge and 12" O.C. Elsewhere. Attachment Should Roughly Align on Both Front Faces.

Step #7



Install Trim Starting With the Verticals. Install by Hooking Inside Legs on Receiver Tab and Lightly Tapping with Rubber Mallet Toward Outside Edge.

Frame Section Detail



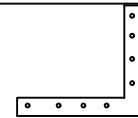
Parts List



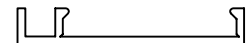
Hinge/Strike Jamb Assembly



Header Assembly



4ea. C100ST90 Angle Clips



4ea. Vertical Jamb Trim and 2ea. Header Trim