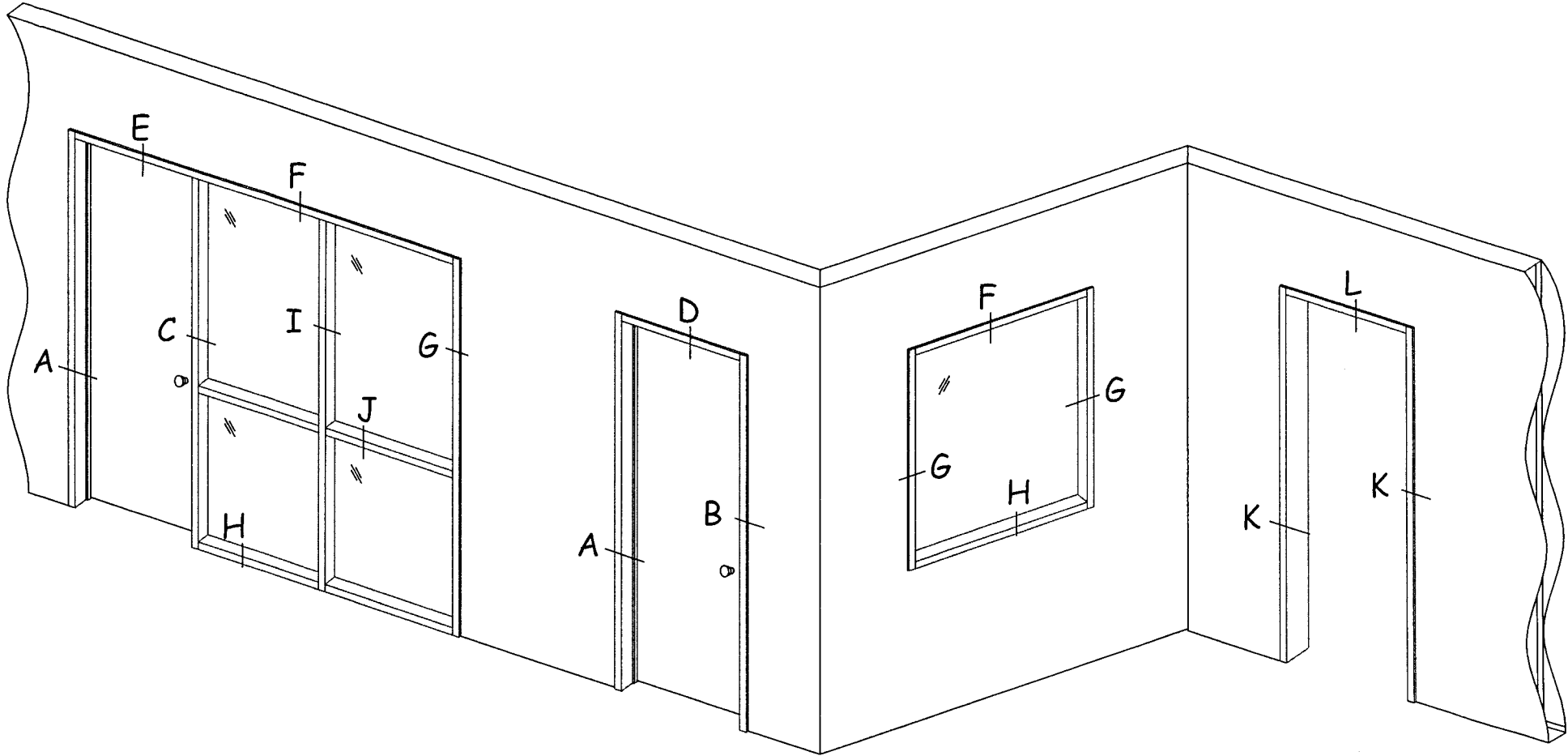


Frameworks Manufacturing, Inc.

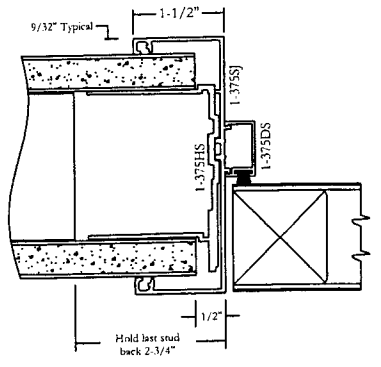
Installation Manual for the Type-1 Door
& Window Frame System

Type 1 Frame System

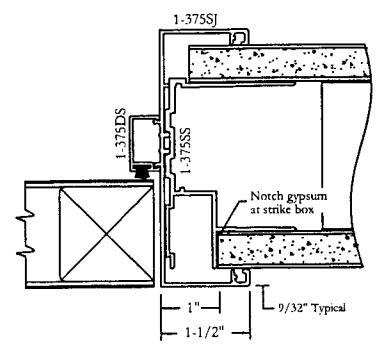
(3-3/4" or 4-7/8" walls)



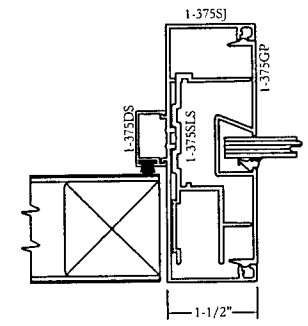
A



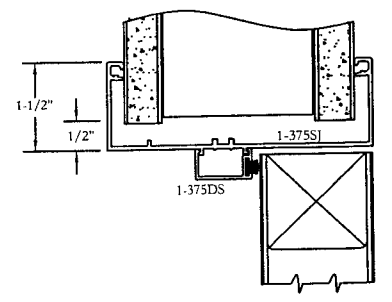
B



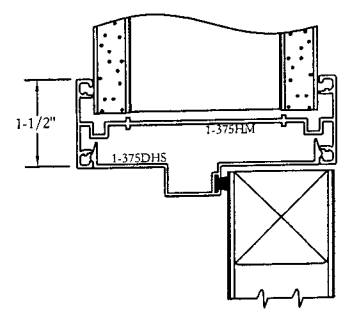
C



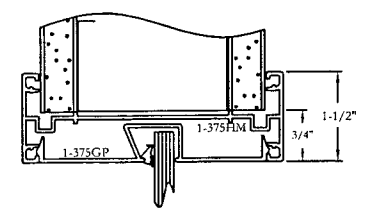
D



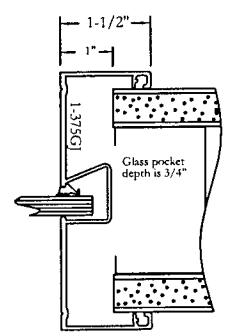
E



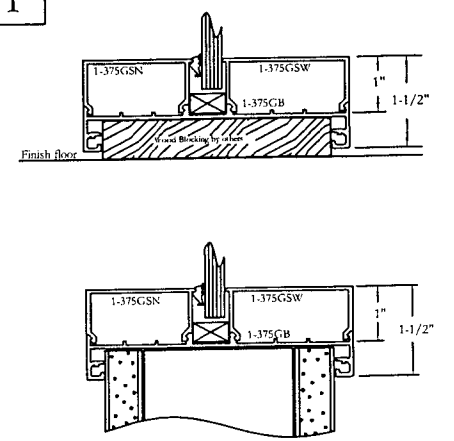
F



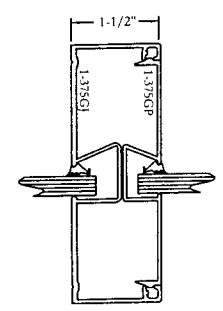
G



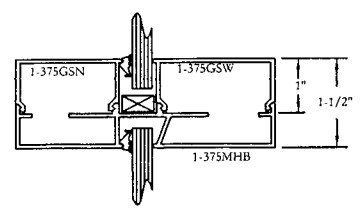
H



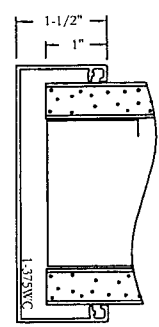
I



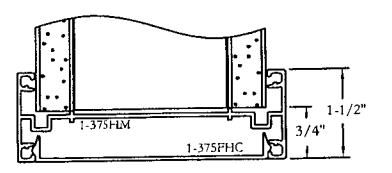
J



K

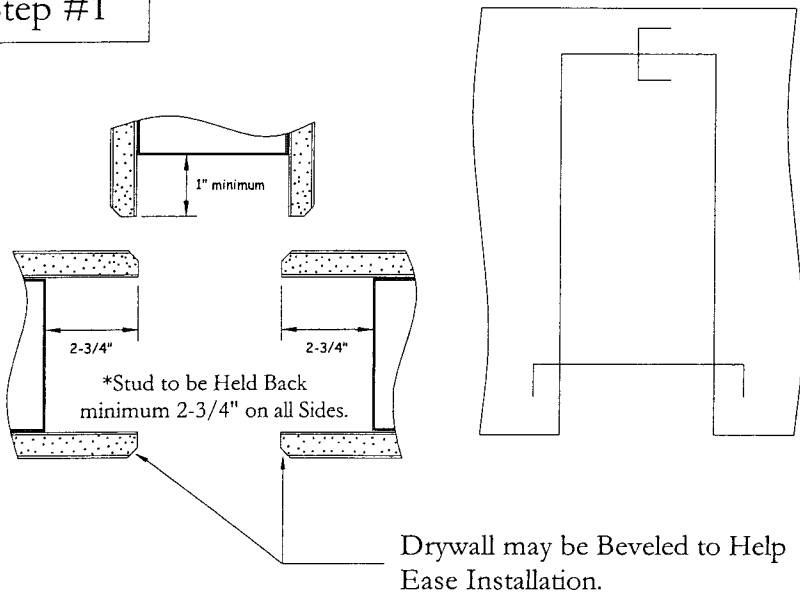


L



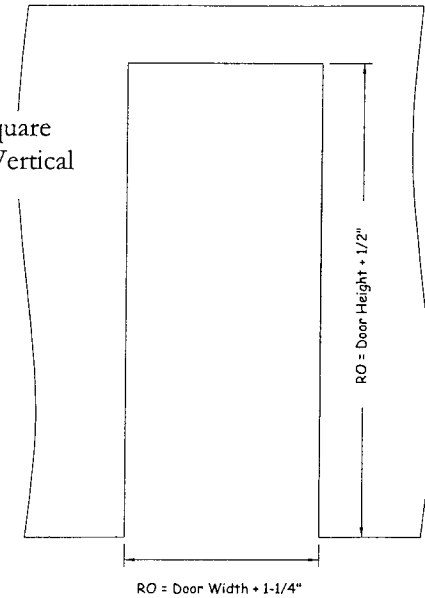
Installation Instructions - Type 1 - Aluminum Door Frames

Step #1



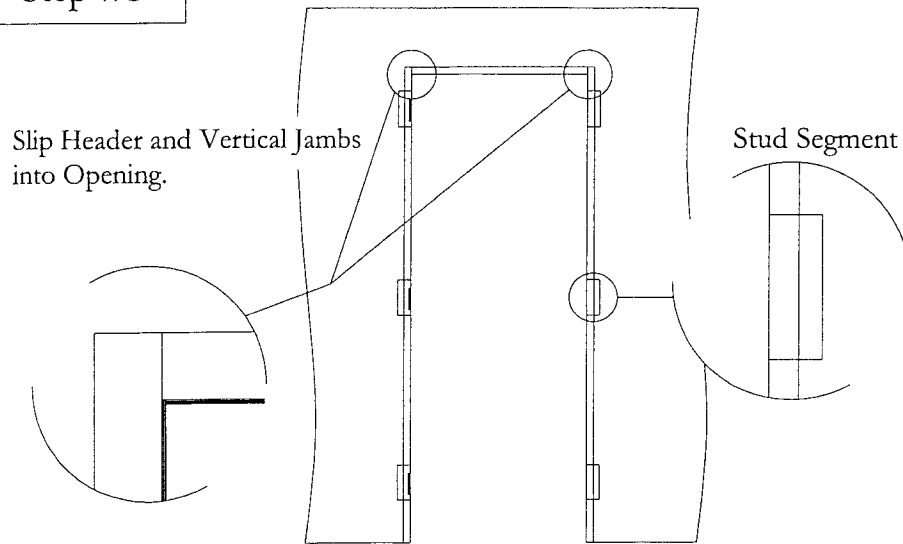
Step #2

Check Dimensions and Square of Rough Opening. Cut Vertical Jamb's if Necessary.



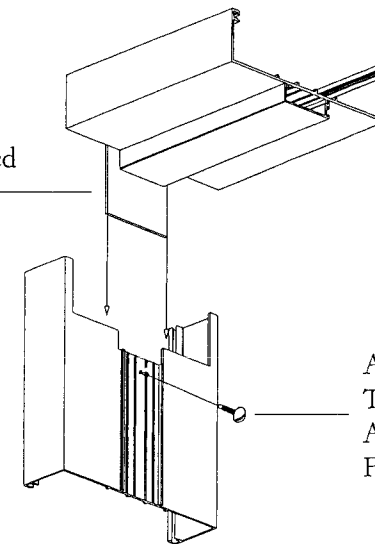
*Frames may be Shipped with Extra Length for Field Cutting to Allow for Floor Deflections.

Step #3



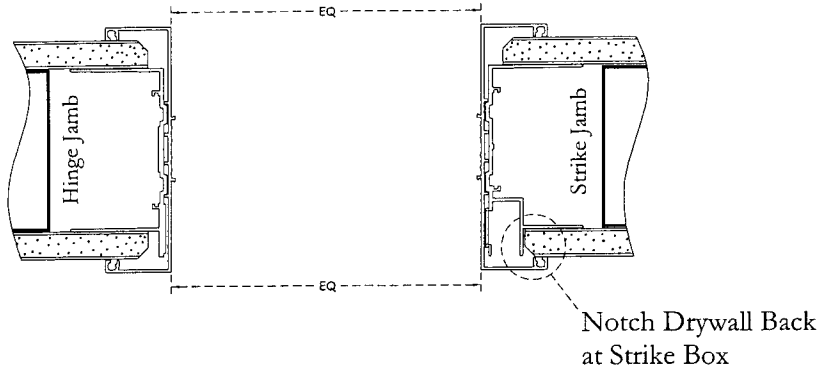
Step #4

Clip is pre Attached to Header.



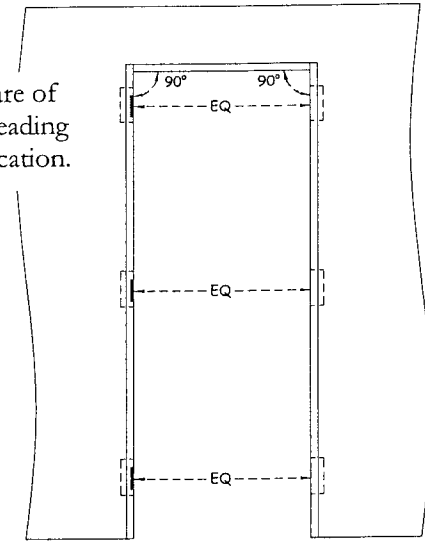
Step #5

Align to Scheduled Opening Width and Height, Achieving Equal Wall Capture on Both Jamb Legs. Make Sure Scheduled Opening Width is Maintained on Both Sides of Door Stop at Leading Edge of Frame.



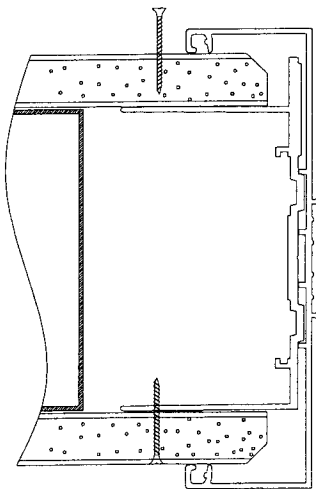
Step #6

Check Level of Header and Square of Jamb Legs. Measure Width at Leading Edge of Jamb at Each Hinge Location.



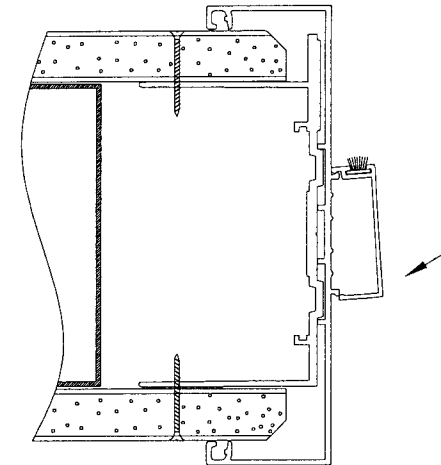
Step #7

Attach Frame to Wall with 1-5/8" Drywall Screws. Use a Minimum of 3 Screws per Stud Segment per Side.



Step #8

Attach Door Stops by Hooking Inside Leg (Nearest Door) on Receiver Tab and Lightly Tapping with Rubber Mallet Toward Outer Edge of Stop.



7-23-03

Frameworks Manufacturing, Inc.

Parts List



Hinge Jamb Assembly



Strike Jamb Assembly



Header Assembly w/ Clips and Stop Attached



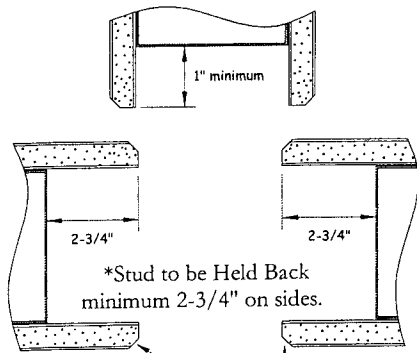
2ea. Snap on Door Stops w/ Felt Installed



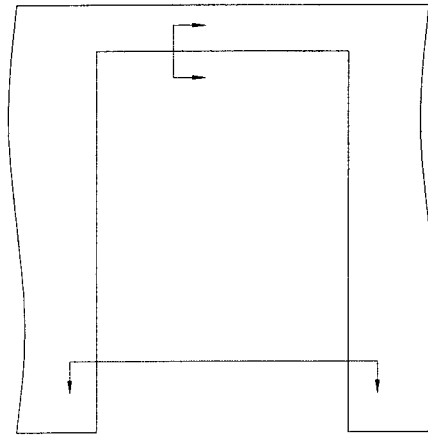
2ea. #10 x 5/8" TEK Screws

Installation Instructions - Type 1 - Sidelight Door Frames

Step #1

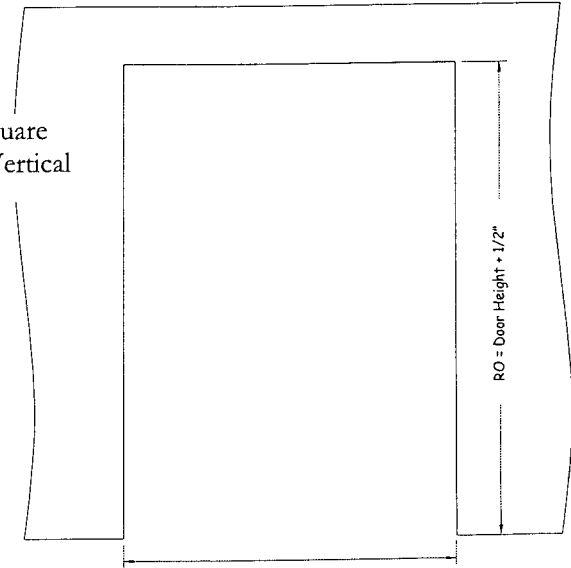


Drywall may be Beveled to Help Ease Installation.



Step #2

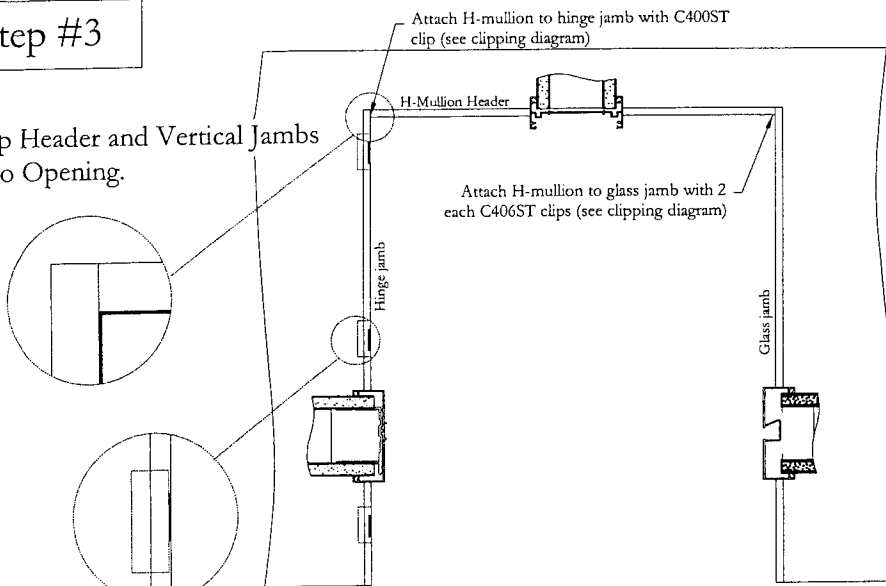
Check Dimensions and Square of Rough Opening. Cut Vertical Jamb if Necessary.



*Frames may be Shipped with Extra Length for Field Cutting to Allow for Floor Deflections.

Step #3

Slip Header and Vertical Jamb into Opening.

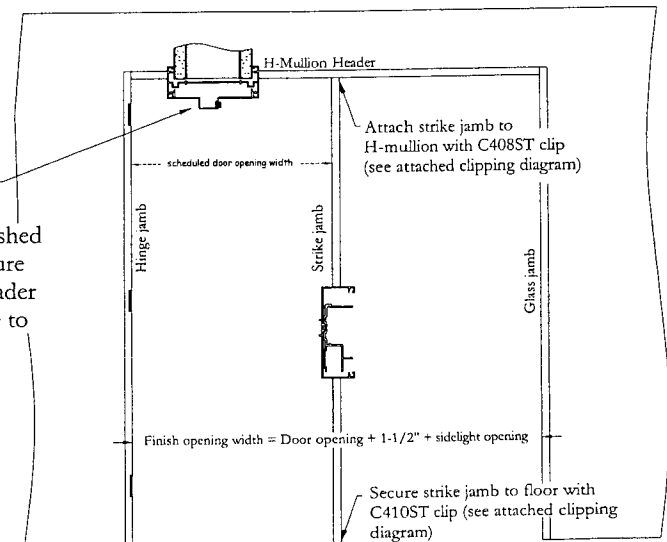


Stud Segment

Step #4

Install snap-in door header.

Install strike jamb. Hold finished door opening width and secure strike jamb to H-Mullion header with C408ST clip and secure to floor with C410ST clip.

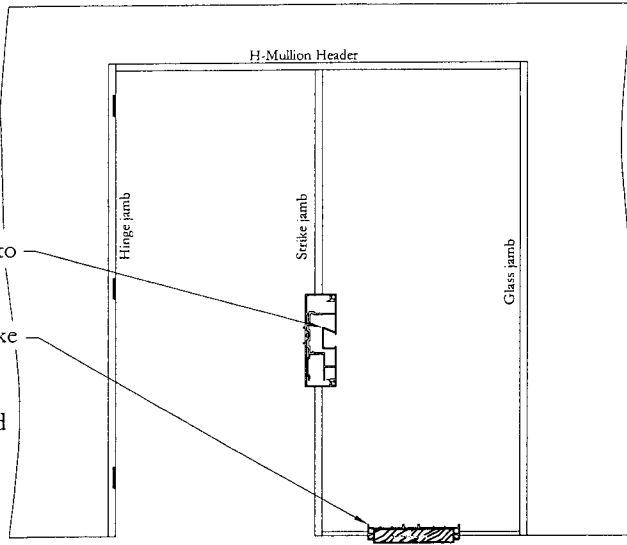


Secure strike jamb to floor with C410ST clip (see attached clipping diagram)

Step #5

Install snap-in glass pocket into strike jamb.

Install glass base between strike jamb and glass jamb. (see clipping diagram) Glass base typically sets on 3/4" plywood which is supplied by others.

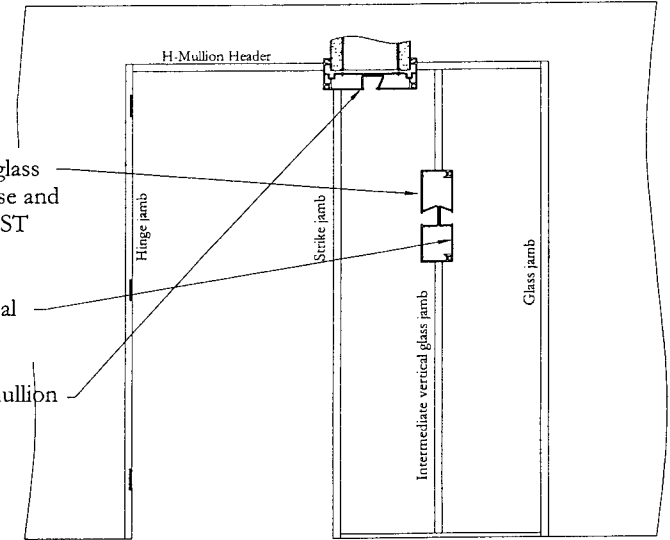


Step #6

Install intermediate vertical glass jamb and secure to Glass base and H-mullion with 4 each C406ST clips (see clipping diagram)

Snap glass pocket into vertical glass jamb.

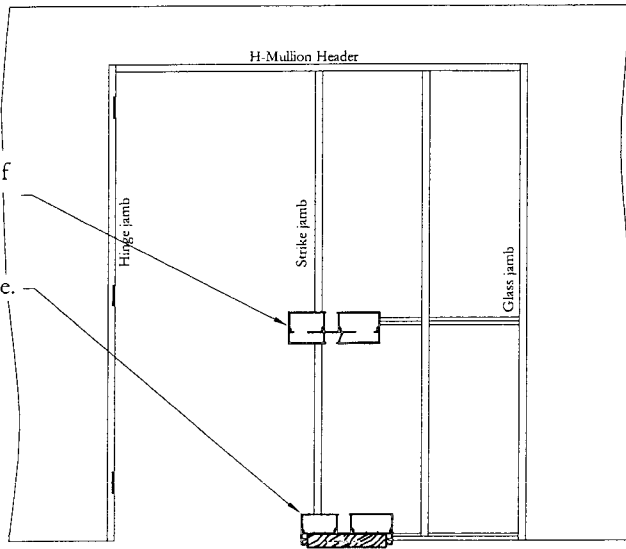
Snap glass pockets into H-mullion header.



Step #7

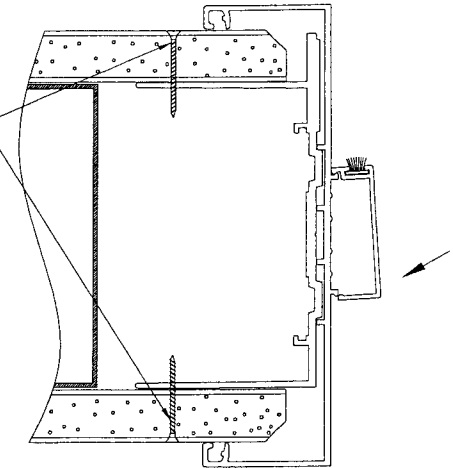
Install mid-height glass base (if required) with 4 each C406ST clips. (see clipping diagram)

Install glass stops on glass base.



Step #8

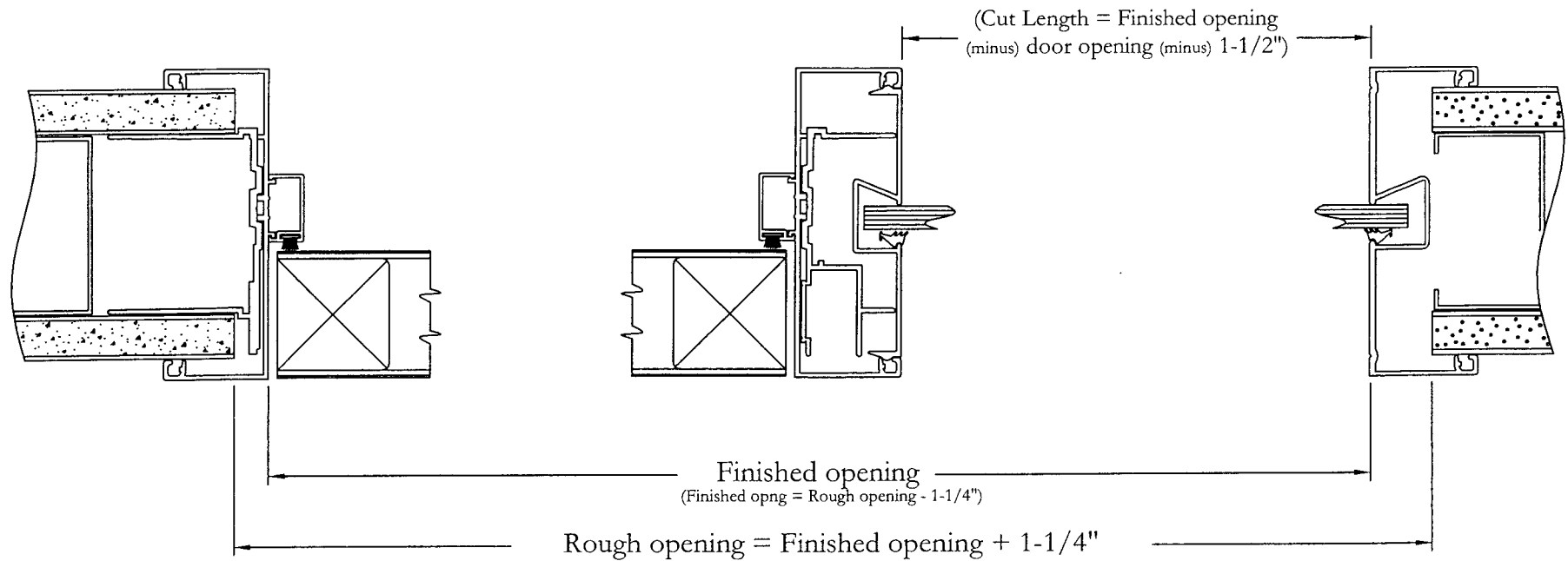
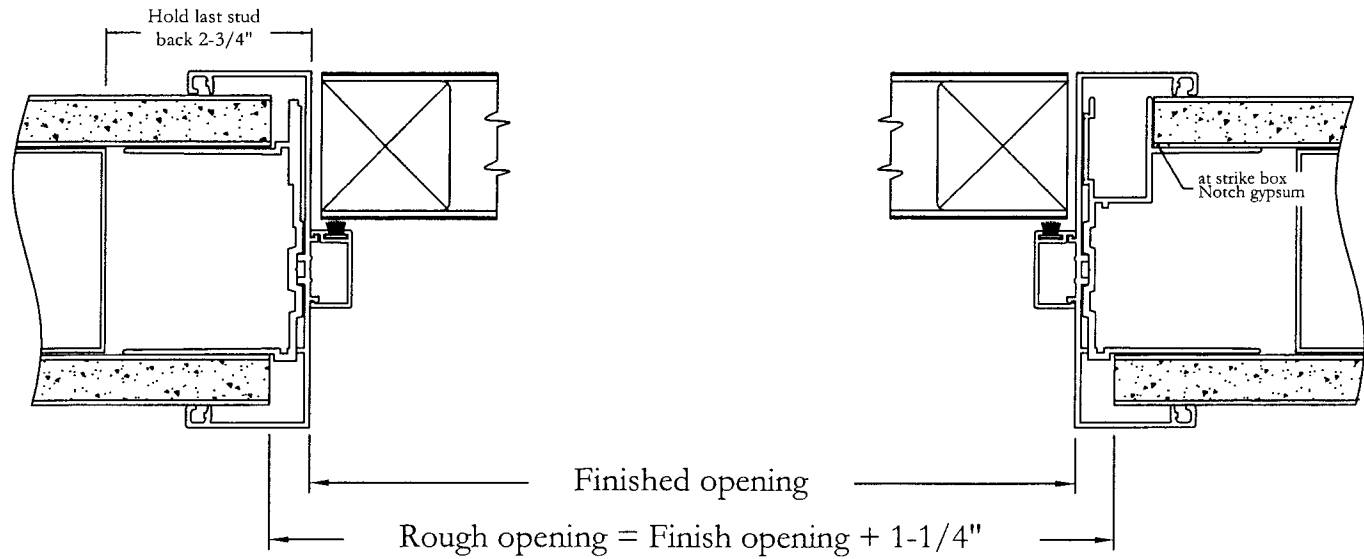
Attach hinge jamb to drywall partition with 1-5/8" drywall screws. Use a minimum of 3 screws per stud segment per side.



Attach door stops to hinge and strike jambs by hooking inside leg (nearest door) on receiver tab and lightly tap with rubber mallet toward outer edge of stop.

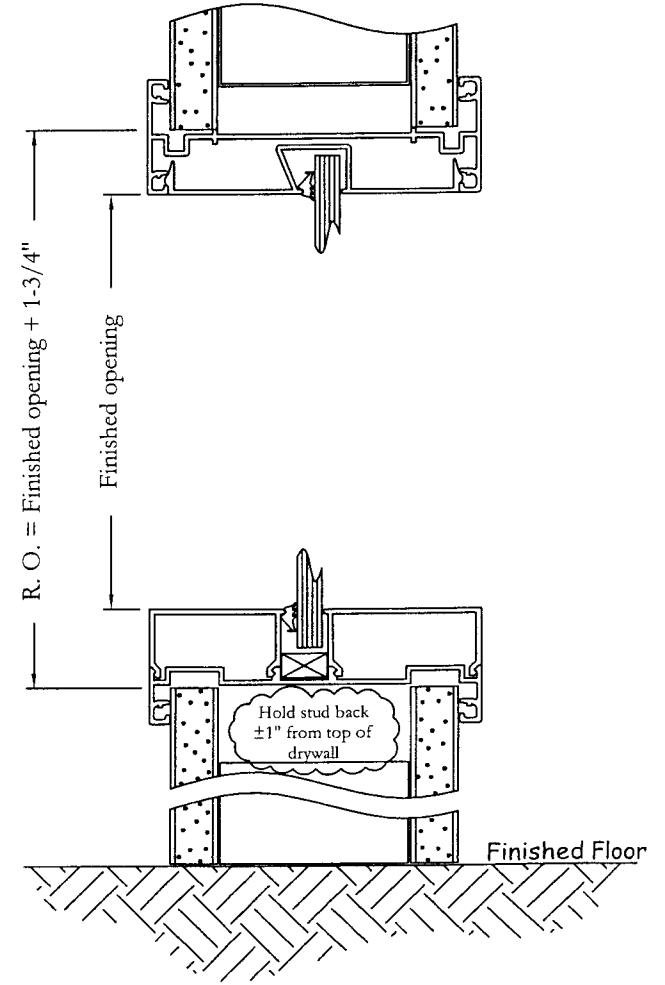
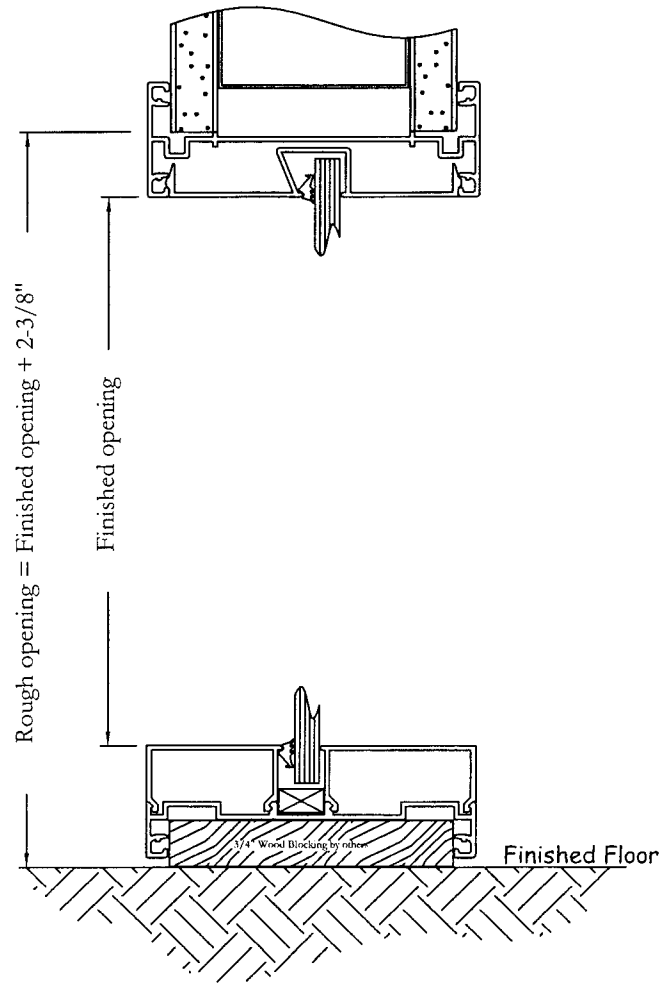
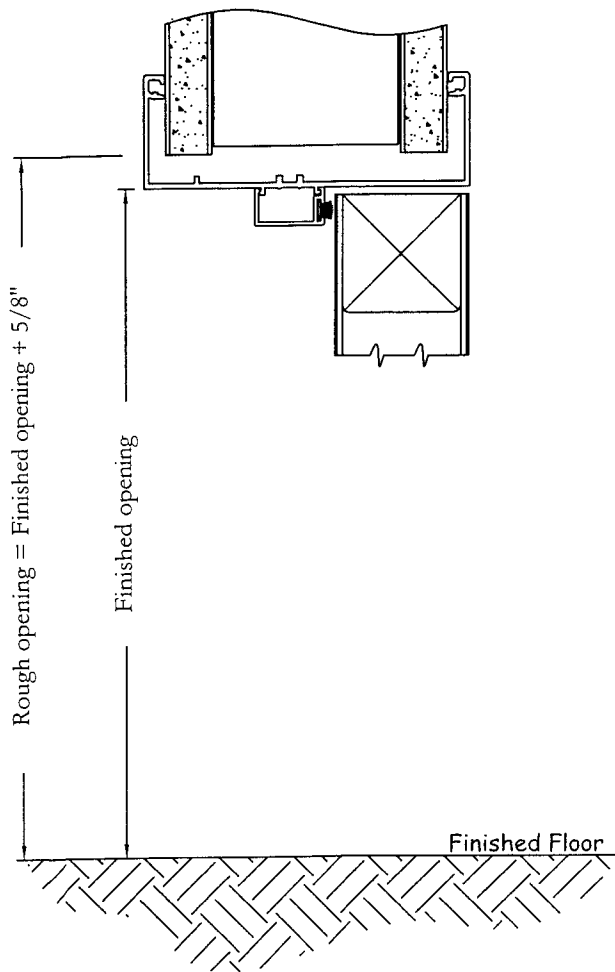
Frameworks Manufacturing, Inc.

Type 1 Rough Opening Requirements

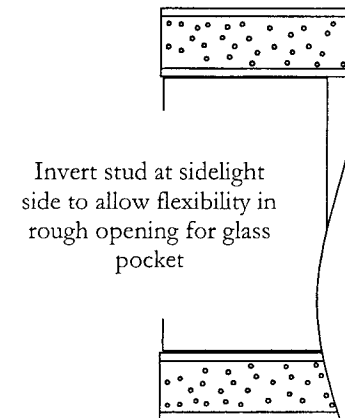
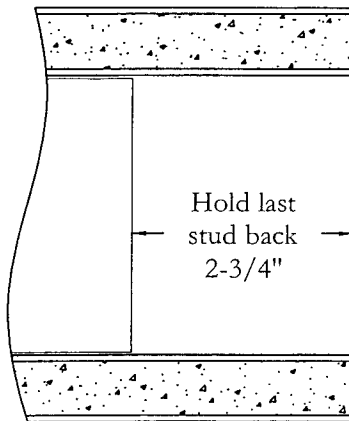
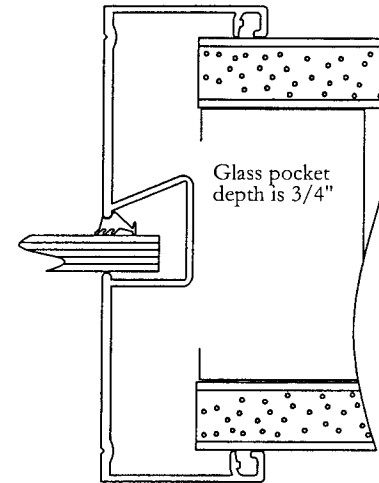
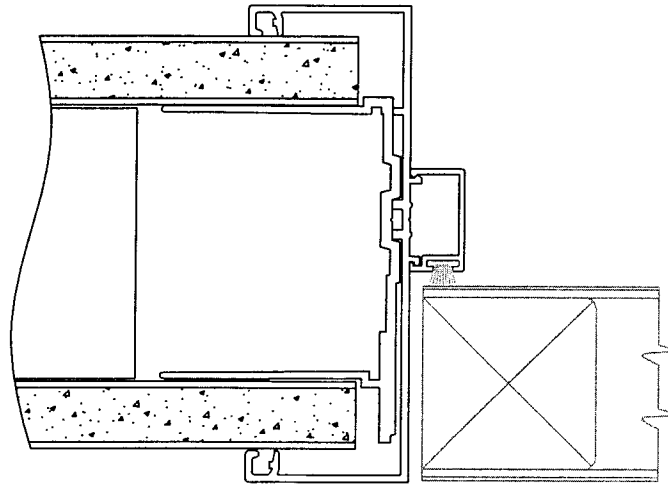


Frameworks Manufacturing, Inc.

Type 1 Rough Opening Requirements

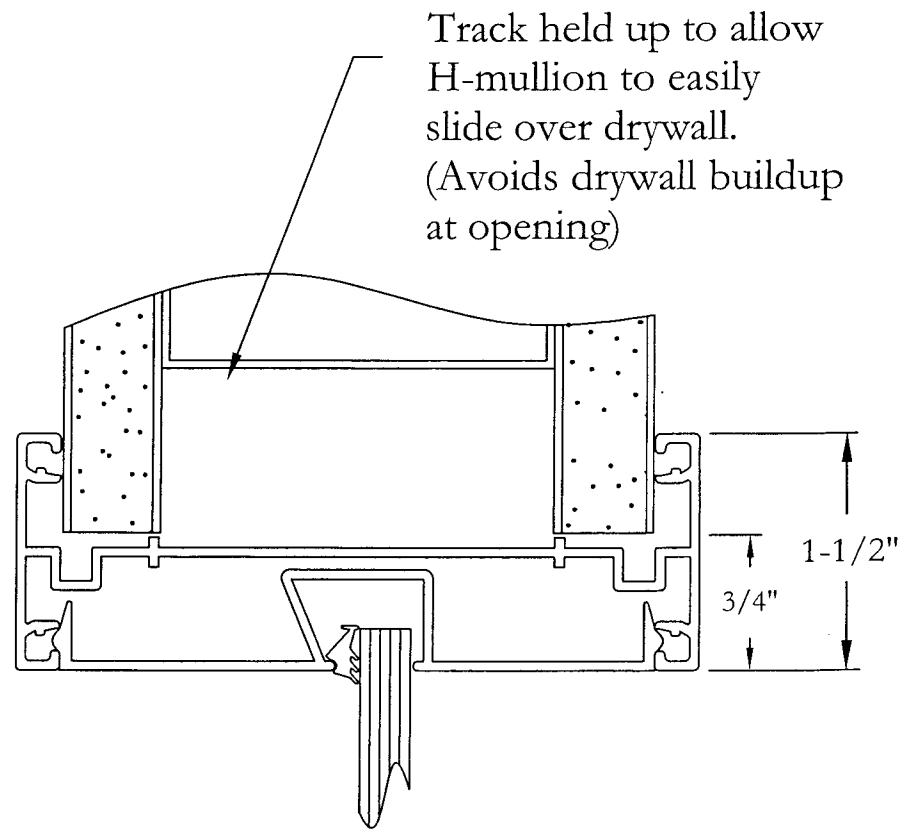
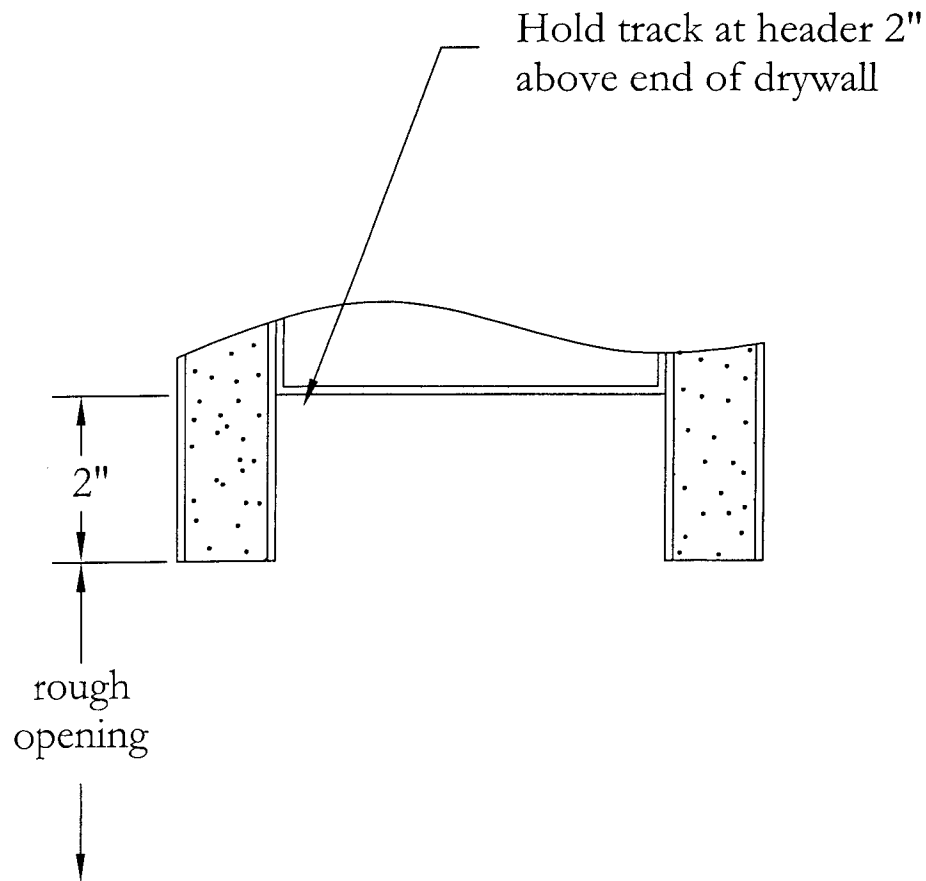


**IMPORTANT: Provide this information to the
drywall framing subcontractor.**



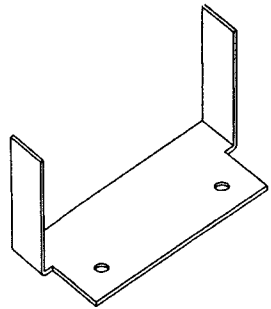
This condition applies to Hinge and Strike side

IMPORTANT: Provide this information to the drywall framing subcontractor.

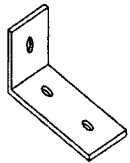


Frameworks Manufacturing, Inc.

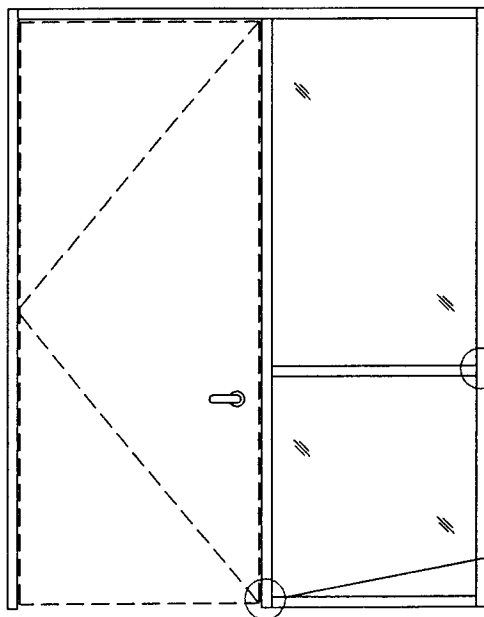
Type 1 Clipping Diagrams



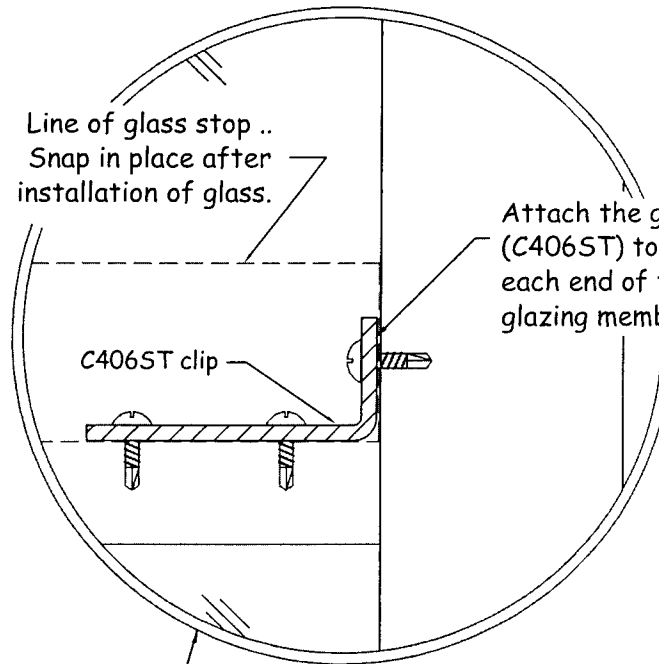
C410ST Floor clip



C406ST Mini clip



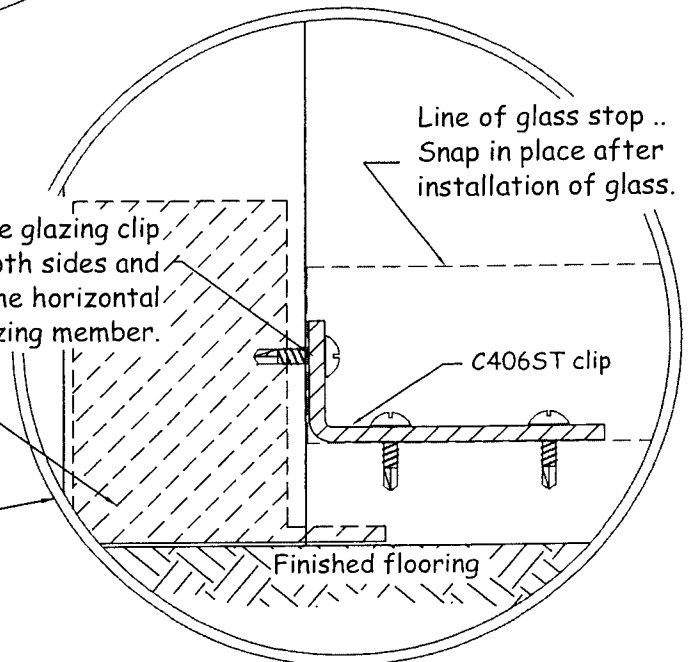
The C410ST slips into the vertical door jamb and is anchored to the floor



Line of glass stop ..
Snap in place after installation of glass.

C406ST clip

Attach the glazing clip (C406ST) to both sides and each end of the horizontal glazing member.



Line of glass stop ..
Snap in place after installation of glass.

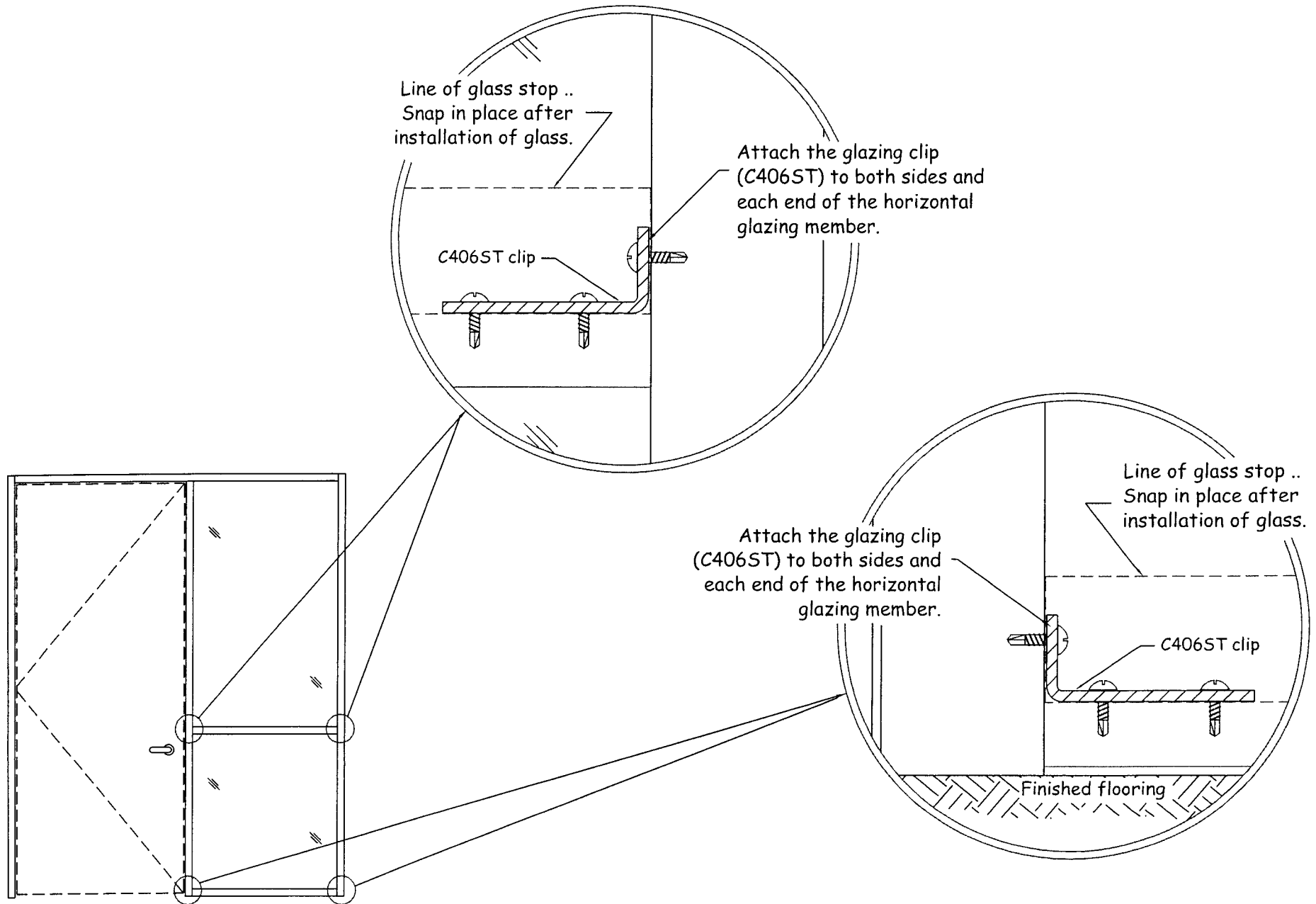
Attach the glazing clip (C406ST) to both sides and each end of the horizontal glazing member.

C406ST clip

Finished flooring

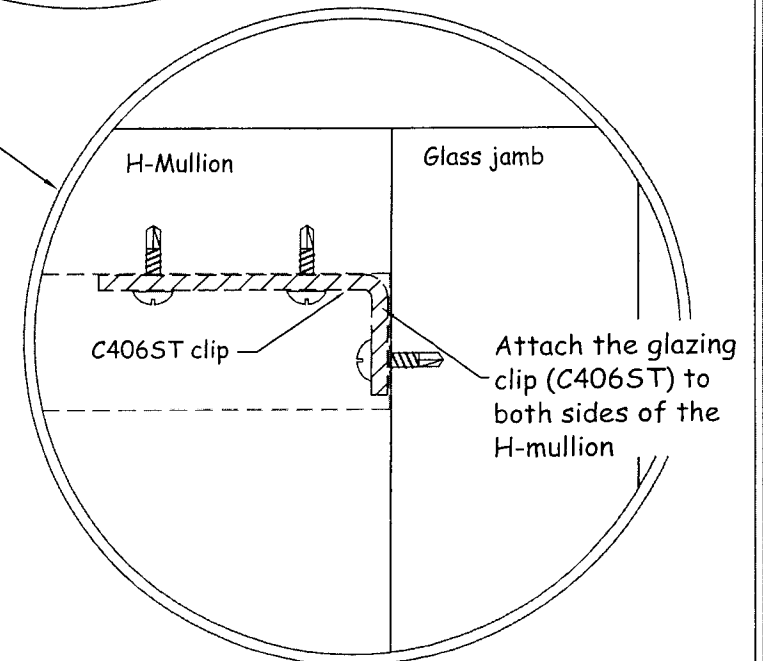
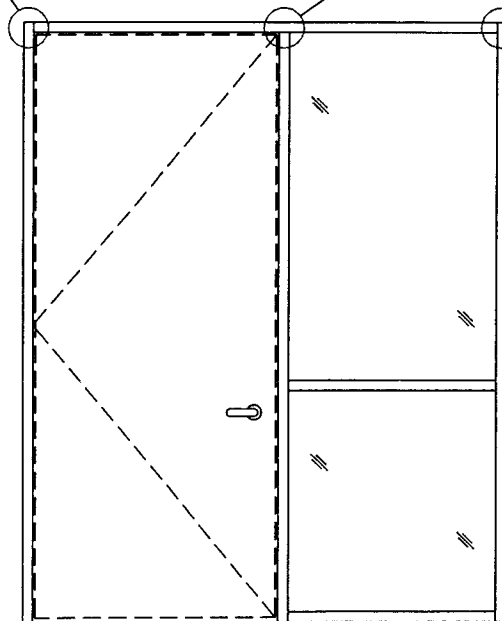
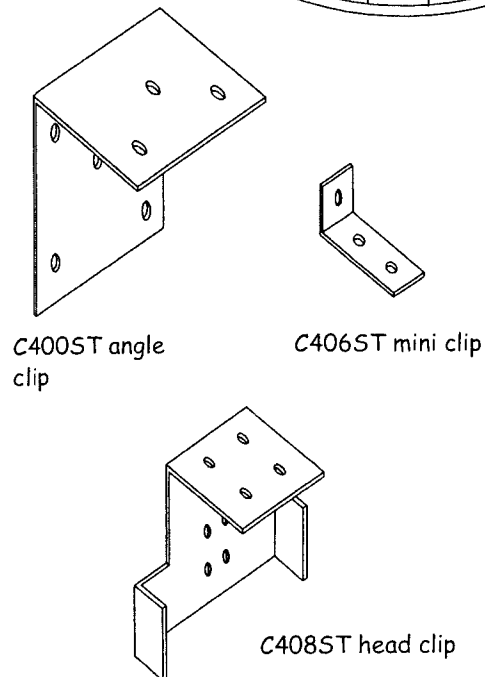
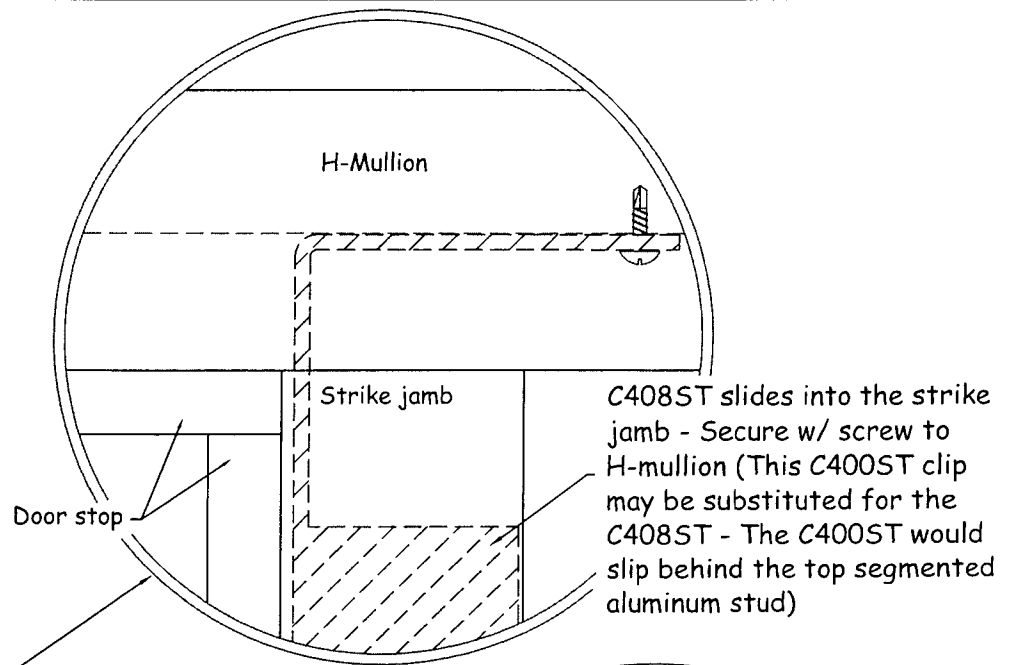
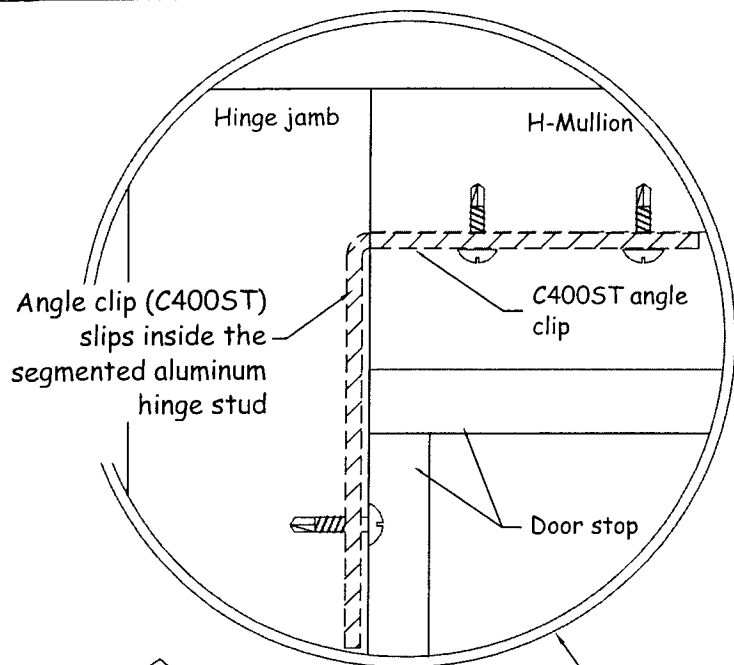
Frameworks Manufacturing, Inc.

Type 1 Clipping Diagrams



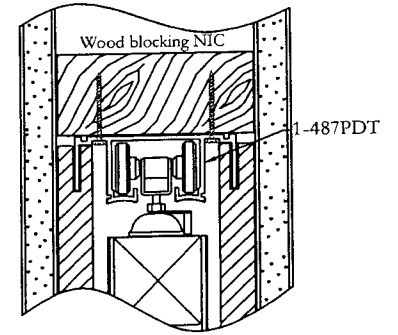
Frameworks Manufacturing, Inc.

Type 1 Clipping Diagrams

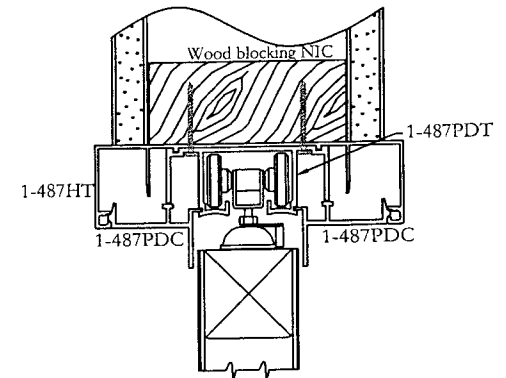


Pocket Door Frame Installation Instructions

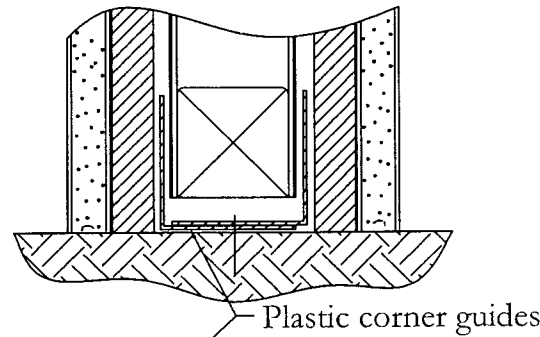
1. Install 1-487PSJ (Pocket Solid Jamb).
2. Install section of 1-487HT (head track) to finished opening size. (NOTE: The 1-487HT runs the width of the finished opening ONLY.) Attach at head and install the 1-487PDT (pocket door track) twice the door width. Place the two rollers into the track and attach the track at 12" on center.
3. Install the steel wrapped wood studs at the door opening $+1/8"$ and at the center of the pocket, engaging the 1-487PDT and the steel floor clips (shown below). Install the wall stop to the wood blocking (by others). Install drywall to wood studs to close up the opening.
4. Install the 2 pcs of 1-487PST to opening.
5. Install plastic corner angles into the pocket and anchor to floor. (see detail)
6. Hang and adjust door. Install the 1-487PDC (pocket door closure) to each side of the 1-487PDT to finish off the opening.



Section Cut "A"



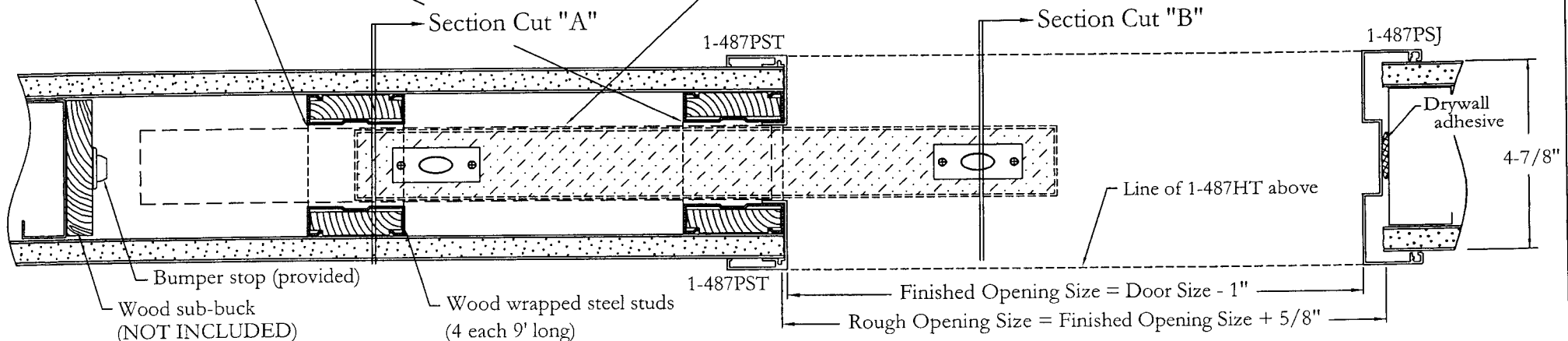
Section Cut "B"



Plastic corner guides



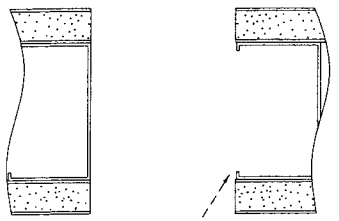
Steel Floor Clip
(2 each)



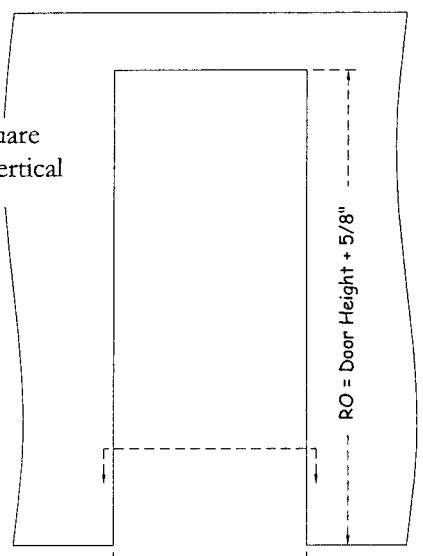
Installation Instructions - Type 2 - Aluminum Door Frames

Step #1

Check Dimensions and Square of Rough Opening. Cut Vertical Jamb if Necessary.



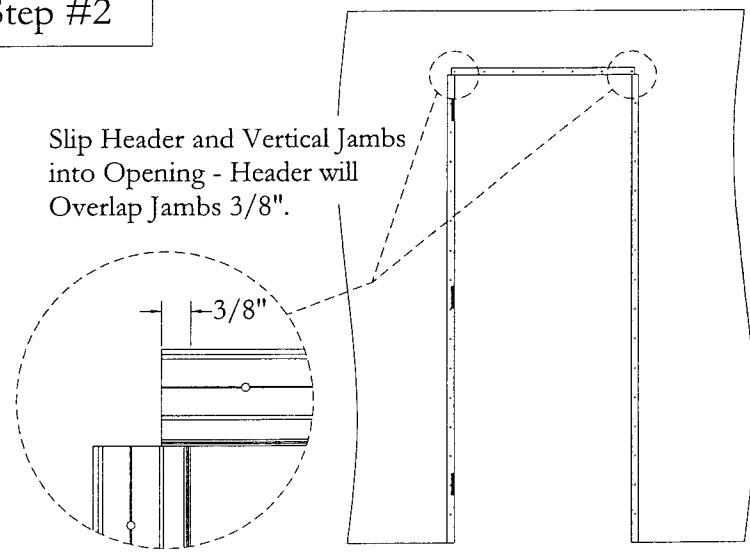
Invert Stud at Strike Side



RO = Door Width + 1-1/4"

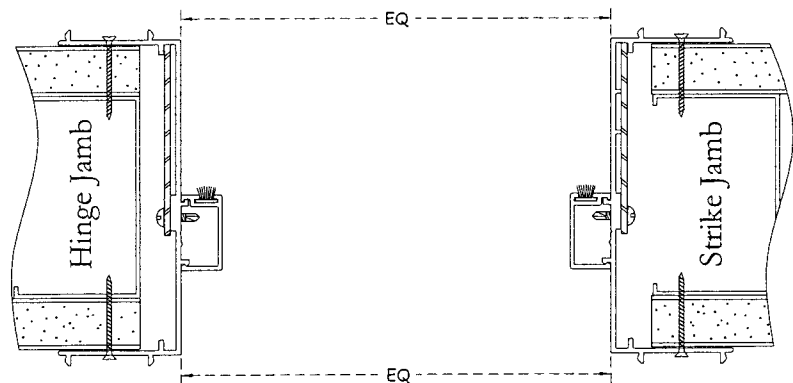
Step #2

Slip Header and Vertical Jamb into Opening - Header will Overlap Jamb 3/8".



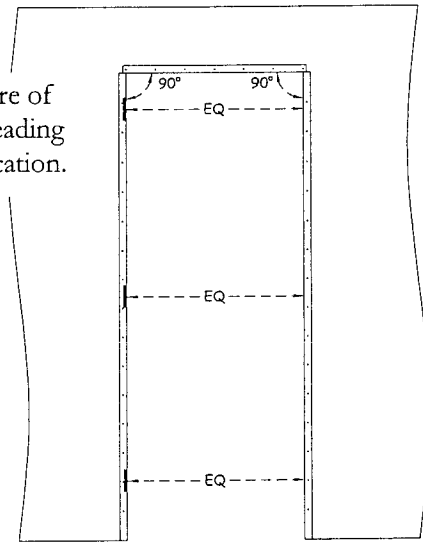
Step #3

Align to Scheduled Opening Width and Height, Achieving Equal Wall Capture on Both Jamb Legs. Make Sure Scheduled Opening Width is Maintained on Both Sides of Door Stop at Leading Edge of Frame.

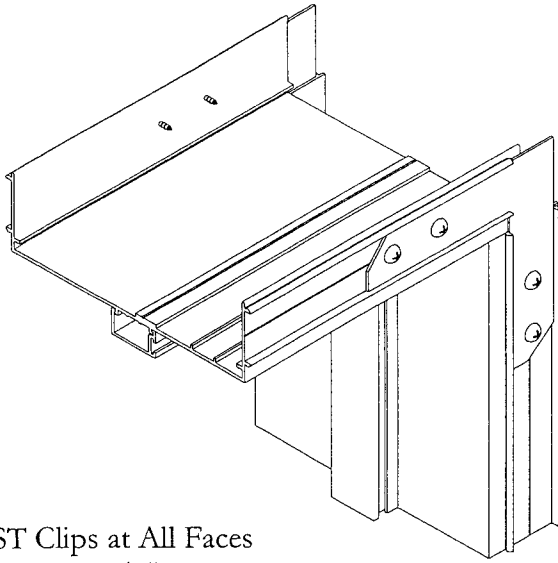


Step #4

Check Level of Header and Square of Jamb Legs. Measure Width at Leading Edge of Jamb at Each Hinge Location.



Step #5

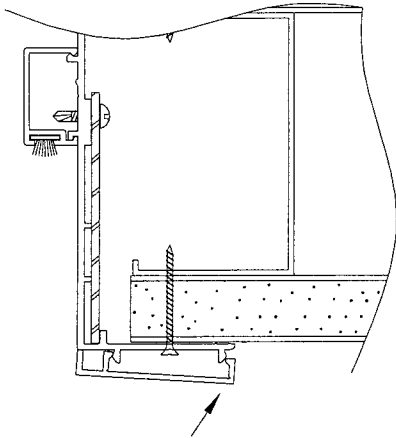


Attach the 4ea C100ST Clips at All Faces of Jamb and Header with 8-1/2" TEK Screws.

Step #6

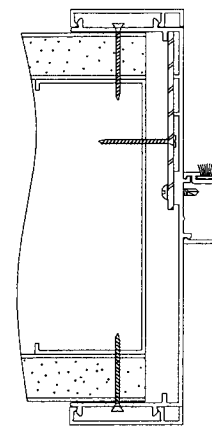
Check Square/Plum of Opening. Anchor Jamb to Wall Using #6 x 1-5/8" Drywall Screws Through Round Holes Nearest Top and Bottom at Each Hinge and 12" O.C. Elsewhere. Attachment Should Roughly Align on Both Front Faces.

Step #7

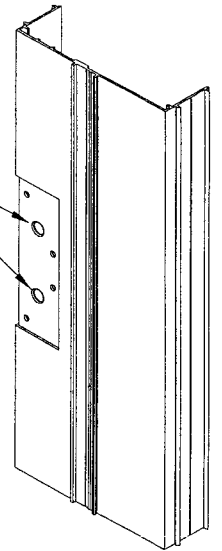


Install Trim Starting With the Verticals. Install by Hooking Inside Legs on Receiver Tab and Lightly Tapping with Rubber Mallet Toward Outside Edge.

Step #8

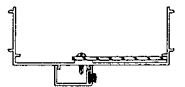


Attach to Framing with #12 x 1" Screws at Each Hinge Location.

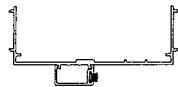


Note:
45 Minute Rated Frame Require the Attachment of the Hinge Backup Plates to the Wall Framing

Parts List



Hinge/Strike Jamb Assembly



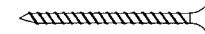
Header Assembly



4ea. C100ST Angle Plates



8ea. #8 x 1/2" TEK Screws



50ea. # 6 x 1-1/4" Drywall Screws

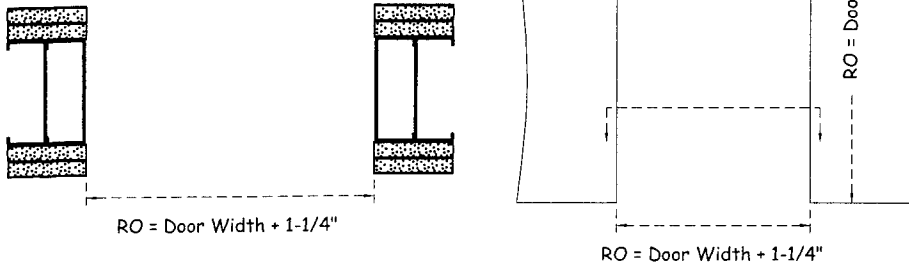


4ea. Vertical Jamb Trim and 2ea. Header Trim

Installation Instructions - 90 Minute Rated Aluminum Door Frames

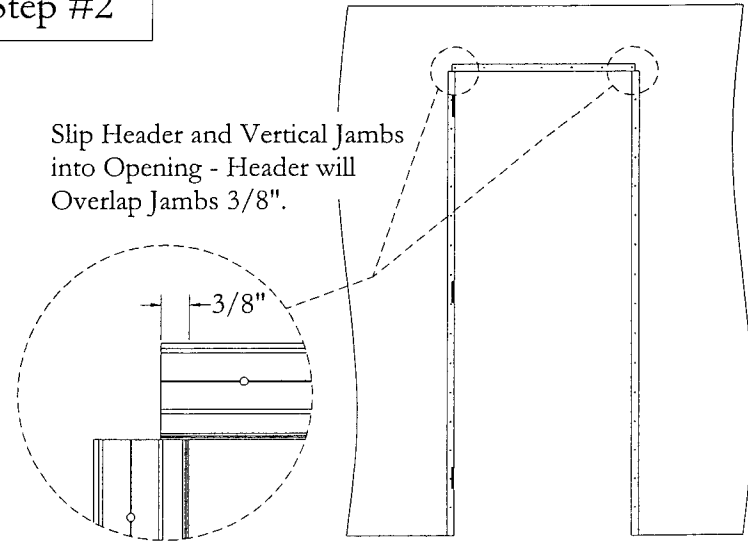
Step #1

Check Dimensions and Square of Rough Opening. Cut Vertical Jamb if Necessary.



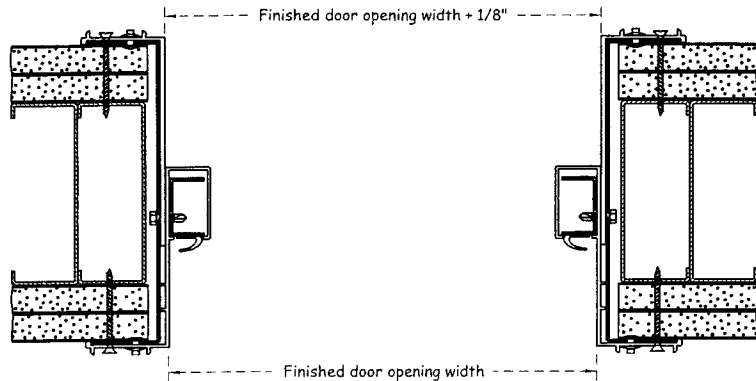
Step #2

Slip Header and Vertical Jamb into Opening - Header will Overlap Jamb 3/8\".



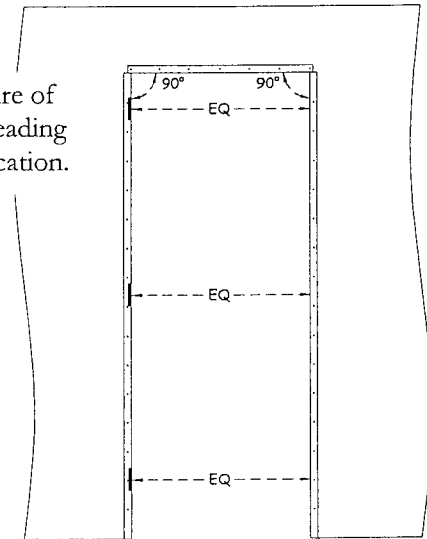
Step #3

Align to Scheduled Opening Width and Height, Achieving Equal Wall Capture on Both Jamb Legs. Make Sure Scheduled Opening Width is Maintained on Both Sides of Door Stop at Leading Edge of Frame.

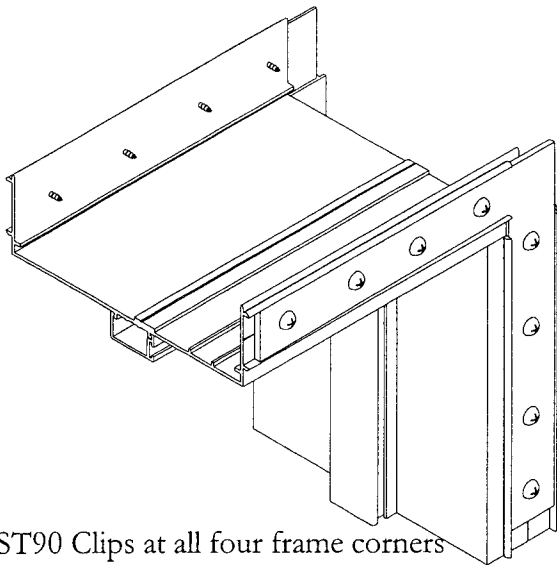


Step #4

Check Level of Header and Square of Jamb Legs. Measure Width at Leading Edge of Jamb at Each Hinge Location.



Step #5

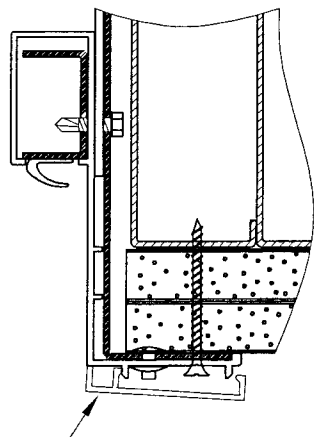


Attach the 4ea C100ST90 Clips at all four frame corners of Jamb and Header with 2-1/2" drywall screws per clip.

Step #6

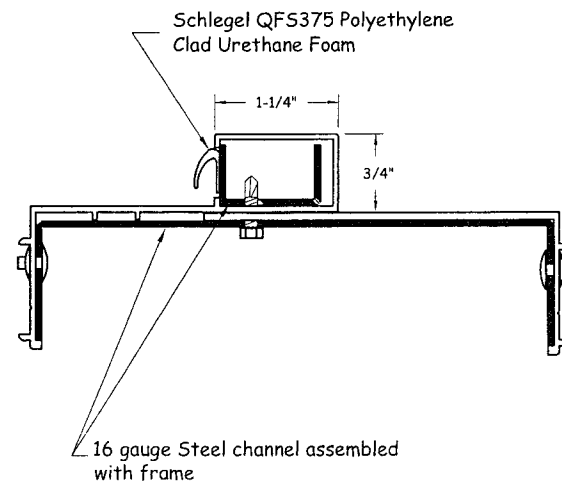
Check Square/Plumb of Opening. Anchor Jamb to Wall Using 2-1/2" Drywall Screws Through Round Holes Nearest Top and Bottom at Each Hinge and 12" O.C. Elsewhere. Attachment Should Roughly Align on Both Front Faces.

Step #7



Install Trim Starting With the Verticals. Install by Hooking Inside Legs on Receiver Tab and Lightly Tapping with Rubber Mallet Toward Outside Edge.

Frame Section Detail



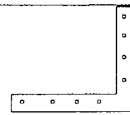
Parts List



Hinge/Strike Jamb Assembly



Header Assembly



4ea. C100ST90 Angle Clips



4ea. Vertical Jamb Trim and 2ea. Header Trim